

PLEASE CHECK WWW.MOLEX.COM FOR LATEST PART INFORMATION

Part Number: [0981941221](#)
Status: **Active**
Overview: [mox crimp terminals](#)
Description: 2.54mm (.100") Pitch MOX FFC/FPC Crimp Terminal, Female, 0.635mm (.025"), Reel, Selective Gold, Crimp

Documents:

[Drawing \(PDF\)](#) [RoHS Certificate of Compliance \(PDF\)](#)

General

Product Family	Crimp Terminals
Series	98194
Comments	Terminal has Stainless Steel Sleeve
Crimp Quality Equipment	Yes
Overview	mox crimp terminals
Product Name	MOX

Physical

Gender	Female
Material - Metal	Copper-Nickel-Silicon, Stainless Steel
Material - Plating Mating	Gold
Material - Plating Termination	90/10 Tin Lead
Packaging Type	Reel
Plating min: Mating (µin)	12
Plating min: Mating (µm)	0.3
Plating min: Termination (µin)	40
Plating min: Termination (µm)	1
Termination Interface: Style	Crimp or Compression
Wire Insulation Diameter	see sales drawing
Wire Size AWG	N/A
Wire Size mm ²	N/A

Material Info

Reference - Drawing Numbers

Application Specification	AS-98194-002
Packaging Specification	PK-98194-001
Product Specification	RPS-98194-001
Sales Drawing	SD-98194-002, SD-98194-005

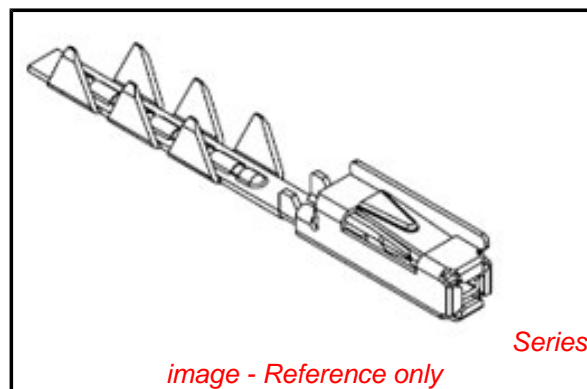


image - Reference only

EU RoHS

ELV and RoHS Compliant
REACH SVHC
 Not Reviewed
Halogen-Free Status

China RoHS



Not Reviewed

Need more information on product environmental compliance?

Email productcompliance@molex.com
 For a multiple part number RoHS Certificate of Compliance, [click here](#)

Please visit the [Contact Us](#) section for any non-product compliance questions.

Search Parts in this Series

[98194Series](#)

Mates With

USCAR 0.635mm (.025") blade terminals

Use With

[98197](#) , [98198](#) , [98199](#) (MOX FFC Connectors), various other connectors

Application Tooling | FAQ

Tooling specifications and manuals are found by selecting the products below. Crimp Height Specifications are then contained in the Application Tooling Specification document.

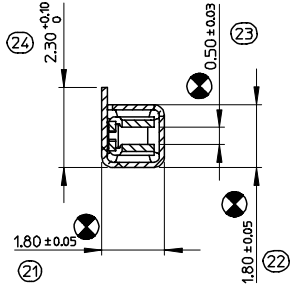
Global

Description	Product #
Secondary Lock Removal Tool for 35 Circuit Hybrid Receptacle Housing	0638139400

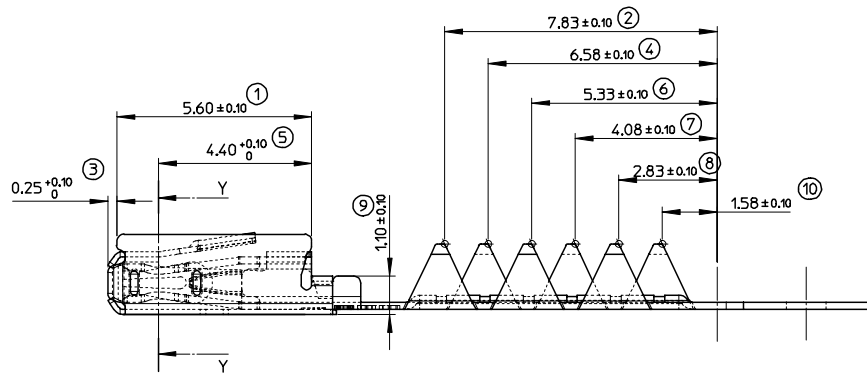
This document was generated on 05/31/2010

PLEASE CHECK WWW.MOLEX.COM FOR LATEST PART INFORMATION

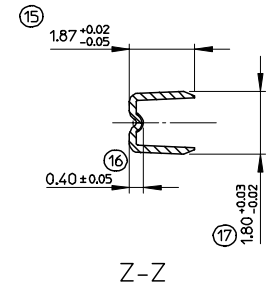
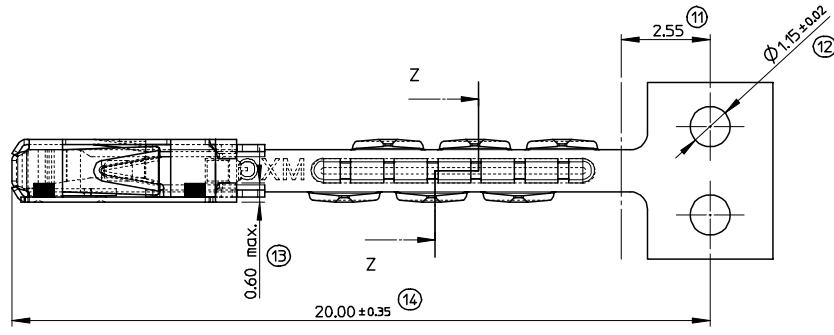
13 12 11 10 9 8 7 6 5 4 3 2 1



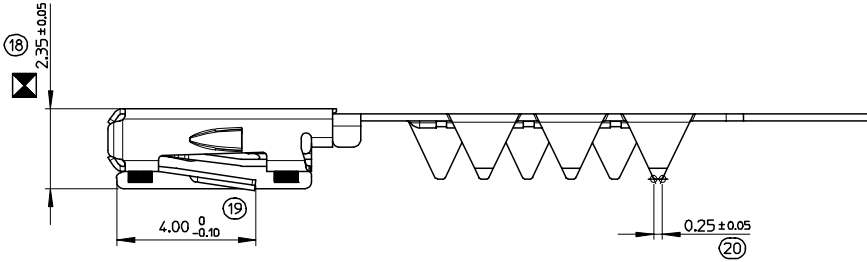
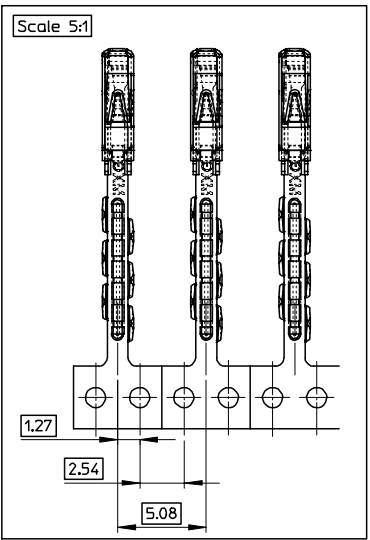
Y-Y



	MOLEX REFERENCE	GAP AREA	CRIMPING AREA
TIN PLATED VERSION	98194-1211	HOT TIN DIP Sn = 1.0 to 3.0 microns	
GOLD PLATED VERSION	98194-1221	Au = 0.3 microns mini Ni = 1.0 microns mini	Sn = 1.0 to 5 microns mini Ni = 1.0 microns mini



Z-Z



INDICATION DIMENSIONS S.P.C DENOTES S.P.C DIMENSIONS	INDICATION DIMENSIONS CRITIQUES DENOTES CRITICAL DIMENSIONS	INDICATION DIMENSIONS FONCTIONNELLES DENOTES FUNCTIONAL DIMENSIONS
QUANTITE PAR FEUILLE INDIVIDUELLE QUANTITY PER INDIVIDUAL SHEET		
1	4	0

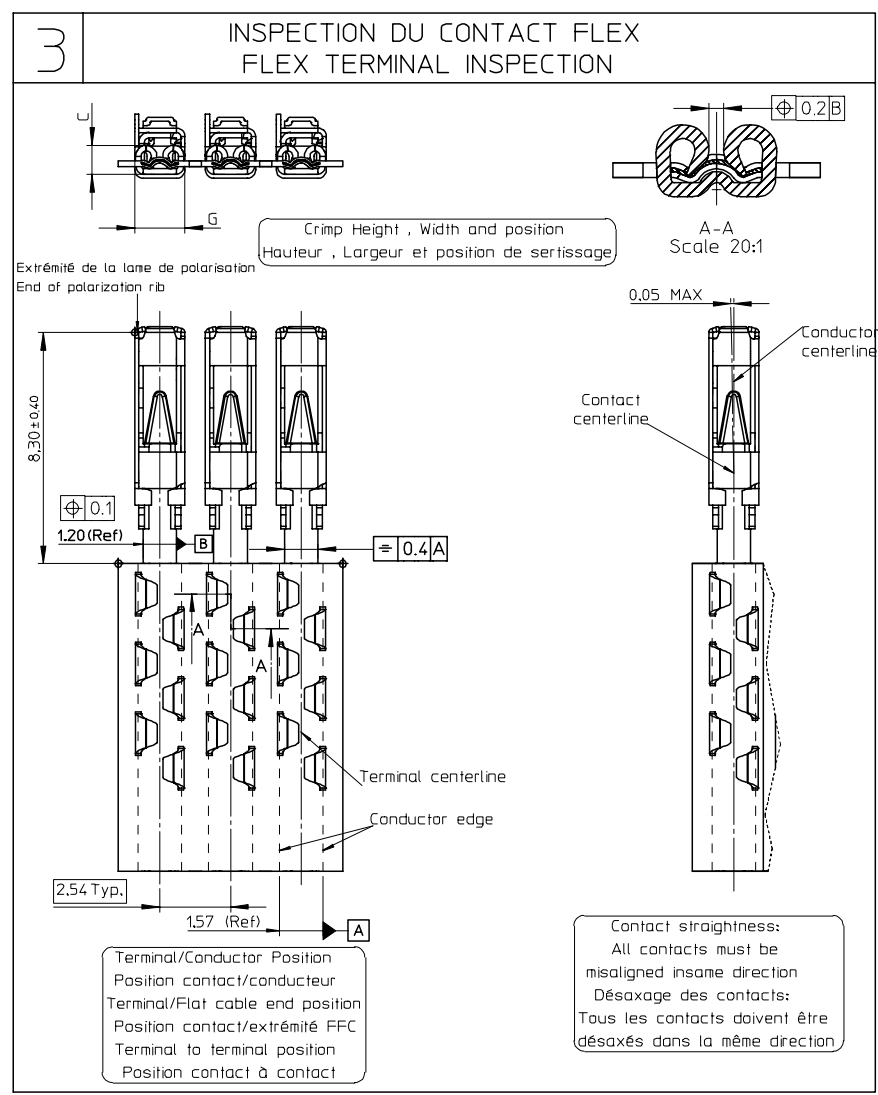
2	E
1	E
SHT REV	

UPDATE METAL STRIP SHAPE EC NO: GZ007-0149 DRWN: PGRANDCL 2006/11/23 CHKD: MANDRE 2006/11/28 APPR: LSTICKEIR 2006/11/28	GENERAL TOLERANCES (UNLESS SPECIFIED)	SCALE 10:1	DESIGN UNITS METRIC	FIRST ANGLE PROJECTION	REVISE ON CAD ONLY
		mm	INCH	TITLE	
	4 PLACES ± --- ± ---	DIMENSION STYLE MM ONLY		MOX 0.635 TERMINAL FFC/FPC CRIMP VERSION	
	3 PLACES ± --- ± ---	DRAWN BY LSTICKEI	DATE 2000/04/17	MATERIAL NO. SEE CHART	
2 PLACES ± 0.05 ± ---	CHECKED BY MANDRE	DATE 2000/05/29	DOCUMENT NO. SD-98194-002		
1 PLACE ± 0.10 ± ---	ANGULAR ±1/2°		SHEET NO. 1 OF 2		
DRAFT WHERE APPLICABLE MUST REMAIN WITHIN DIMENSIONS		APPROVED BY WMORITZ	DATE 2000/05/30	THIS DRAWING CONTAINS INFORMATION THAT IS PROPRIETARY TO MOLEX INCORPORATED AND SHOULD NOT BE USED WITHOUT WRITTEN PERMISSION	

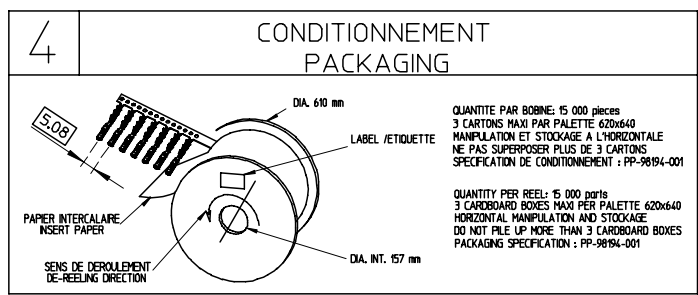
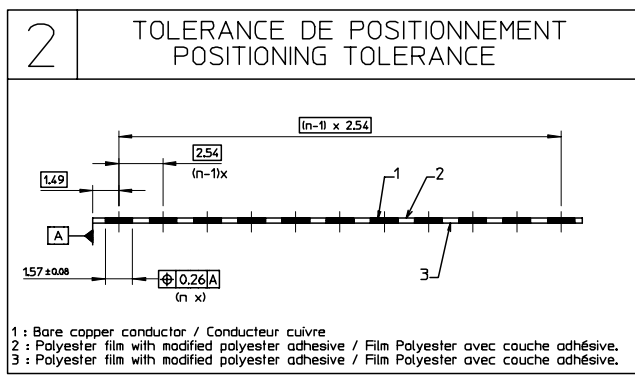
13 12 11 10 9 8 7 6 5 4 3 2 1

1 SERTISSAGE CRIMPING

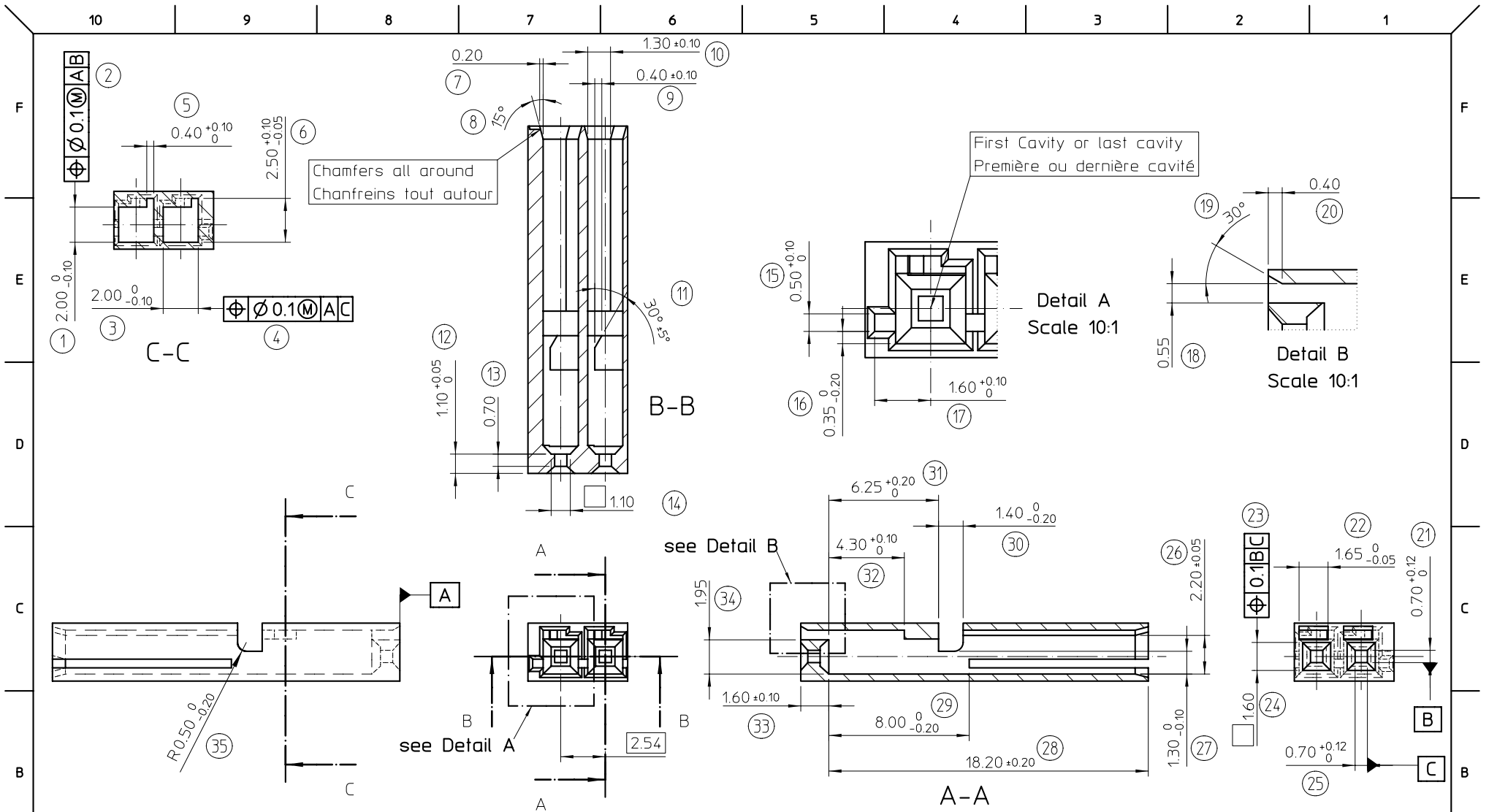
	FFC / FLAT FLEX CABLE FPC / FLEX PRINTED CIRCUIT		CONTACT / TERMINAL REFERENCES PART #		PARAMETRES DE SERTISSAGE CRIMPING PARAMETERS					
	Largeur Conductor Conductor Width	Epaisseur Conductor Conductor Thickness	Epaisseur Film Polyester Polyester Film Thickness	Epaisseur Couche Adhésive Adhesive Layer Thickness	Epaisseur Cable Cable Thickness	MOLEX		SERTISSAGE CUIVRE WIRE BARREL		
						VERSION ETAMÉE TIN PLATED VERSION	VERSION DORÉE GOLD PLATED VERSION	HAUTEUR HEIGHT C (mm)	LARGEUR WIDTH G (mm)	TRACTION MIN SUR 2 CONTACTS STRESS POUR INFORMATION MINIMUM FOR INFORMATION TENSILE FOR INFORMATION (NEWTON)
FFC	157 ±0.076	0.063-0.15 mm	0.050 mm MAX (x2) (w)	0.050 mm MAX (x2) (w)	0.33 MAX.	98194-1211	98194-1221	0.93 ±0.03	1.85 MAX	> 50N
FPC	157 ±0.070	0.070 ±0.013 mm	0.050 mm MAX (x1) (x)	0.020 mm MAX (x1) (x)	0.33 MAX.	98194-1211	98194-1221	0.91 ±0.03	1.85 MAX	> 50N



- (x)
- (x2) means that the copper conductor is laminated between a top and bottom insulation.
 - (x1) means that the copper conductor is stripped (without any insulation or coverlay) on one side only.
 - (x2) signifie que le conducteur cuivre est pris en sandwich entre une isolation supérieure et inférieure.
 - (x1) signifie que le conducteur cuivre est dénudé sur une face uniquement (sans isolation ou film de protection)



REV. UPDATE FOLL. SH. 1 REV.	EC NO: GZ007-0149	DRWN: PGRANDCL 2006/11/23	CHKD: MANDRE 2006/11/28	APPR: LSTICKEIR 2006/11/28	DESCRIPTION	GENERAL TOLERANCES (UNLESS SPECIFIED)	SCALE 10:1	DESIGN UNITS METRIC	FIRST ANGLE PROJECTION	REVISE ON CAD ONLY
						mm INCH	10:1	METRIC		
						4 PLACES ± --- ± ---		MM ONLY		
						3 PLACES ± --- ± ---		DRAWN BY DATE		
						2 PLACES ± 0.05 ± ---		LSTICKEIR 2000/04/17		
						1 PLACE ± 0.10 ± ---		CHECKED BY DATE		
						ANGULAR ± 5°		MANDRE 2000/05/29		
						DRAFT WHERE APPLICABLE		APPROVED BY DATE		
						MUST REMAIN WITHIN DIMENSIONS		WMORITZ 2000/05/30		
								MATERIAL NO. DOCUMENT NO.		
								SEE SHT 1 SD-98194-002		
								SHEET NO. 2 OF 2		



NOTES:

- Dimensions 12, 13 and 33 have to be adjusted following the connector design and the requested contact overlapping.
- Les dimensions 12,13 et 33 doivent être modifiées suivant la définition de connecteur et la sécurité de contact exigée.

EC NO: G2002-0035 DRWN: LSTICKEI 2001/08/17 CHKD: MAN 2001/08/20 APPR: WMORITZ 2001/08/23	QUALITY SYMBOLS	GENERAL TOLERANCES (UNLESS SPECIFIED)	SCALE 5:1	DESIGN UNITS METRIC	FIRST ANGLE PROJECTION	REVISE ON CAD ONLY
	▼ - 0 ∇ C = 0	mm INCH	DIMENSION STYLE MM ONLY	TITLE STANDARD CAVITY		
		4 PLACES ± --- ± --- 3 PLACES ± --- ± --- 2 PLACES ± 0.05 ± --- 1 PLACE ± 0.10 ± --- ANGULAR ± 1/2°	DRAWN BY LST DATE 2001/08/06 CHECKED BY MAN DATE	MOXO MOLEX INCORPORATED		
	DRAFT WHERE APPLICABLE MUST REMAIN WITHIN DIMENSIONS	APPROVED BY WMO DATE	MATERIAL NO. N/A DOCUMENT NO. SD-98194-005 SHEET NO. 1 OF 1	THIS DRAWING CONTAINS INFORMATION THAT IS PROPRIETARY TO MOLEX INCORPORATED AND SHOULD NOT BE USED WITHOUT WRITTEN PERMISSION		